

Product technical data:

85 Series - Acoustic Operable Wall
(Center Stacking)

WALL DETAILS:

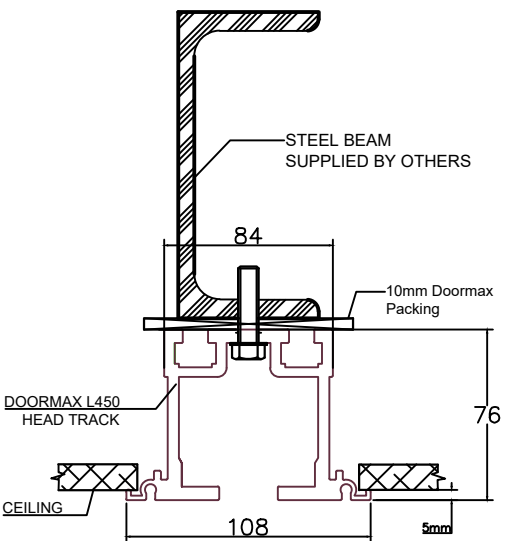
- A. L450 DOORMAX HEAD TRACK
- B. DOORMAX TELESCOPIC JAMB - (EXPANDABLE SLEEVE)
- C. DOORMAX STANDARD PANEL JUNCTION
- D. DOORMAX WALL JAMB

SEALS:

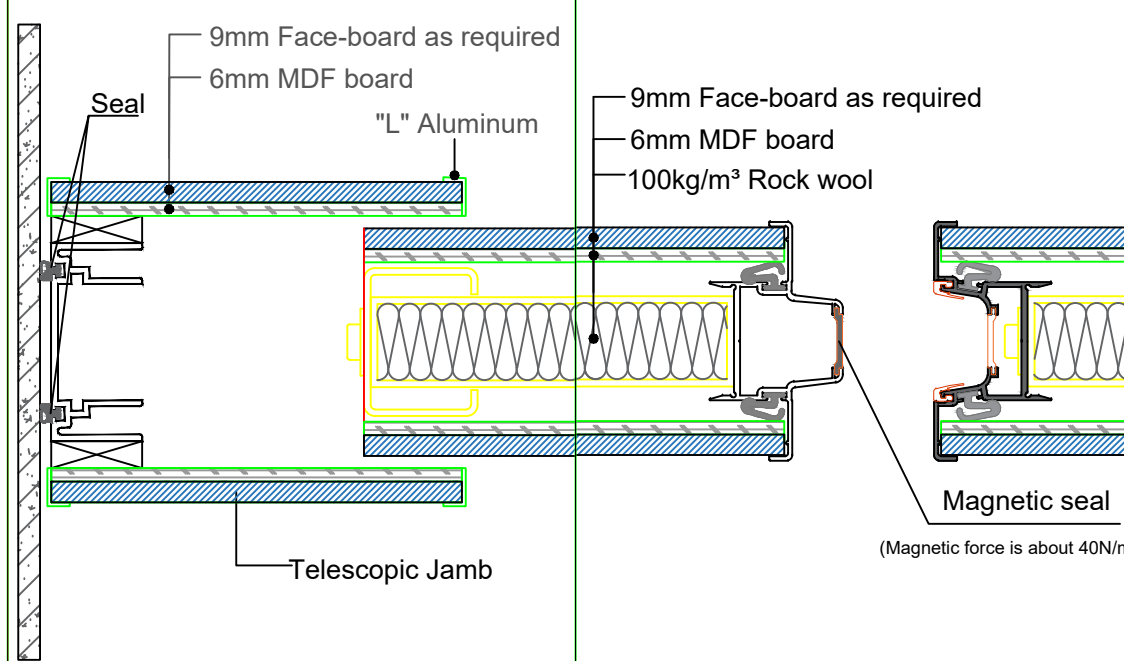
- E. BOTTOM RAIL WITH RETRACTABLE SEALS
- F. TOP RAIL WITH RETRACTABLE SEALS

FLOORING LEVELS:

FLOORING LEVELS TO +/- 5mm (MAX)

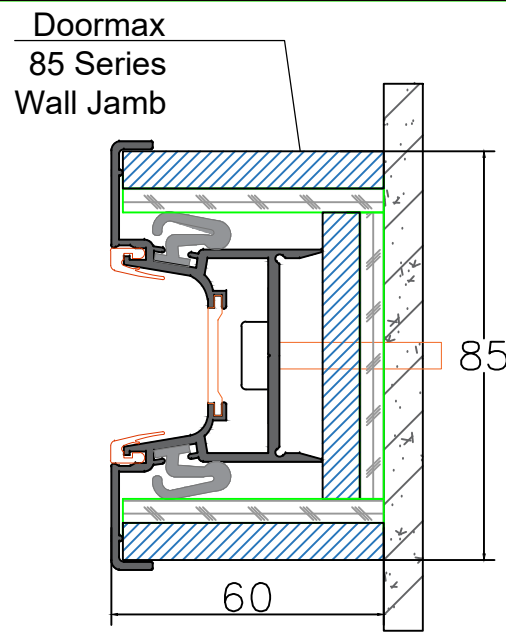


A L450 HEAD TRACK
Scale: NTS

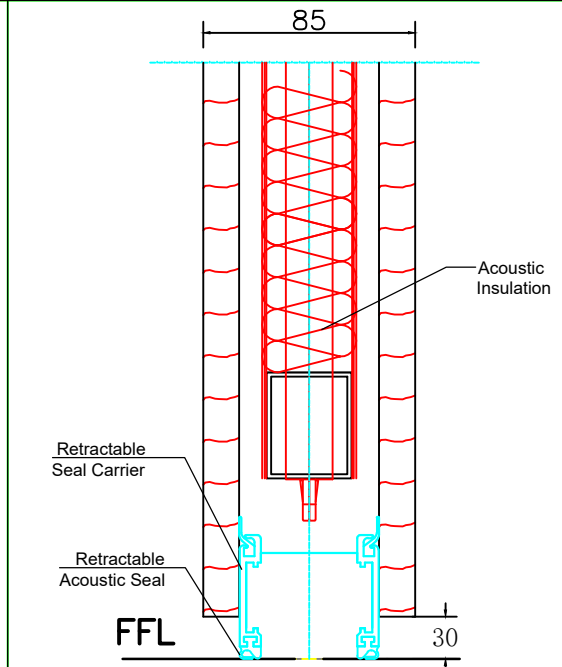


B TELESCOPIC JAMB
Scale: NTS

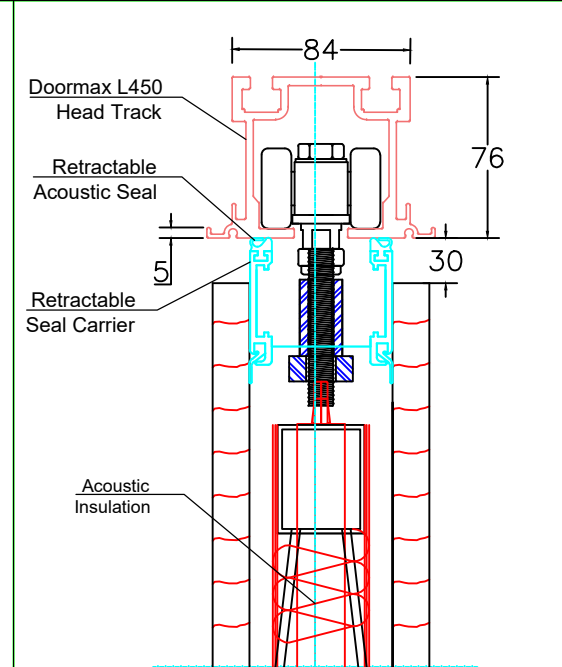
C STANDARD PANEL JUNCTION
Scale: NTS



D WALL JAMB
Scale: NTS



E BOTTOM RETRACTABLE SEALS
Scale: NTS



F TOP RETRACTABLE SEALS
Scale: NTS

Note:
In most installations it will be necessary to remove the track in order to install wall panels. Nothing should permanently be fixed to tracks and ceiling tiles